



Ratchet shell tool

735/80

Art.No. 58250080
GTIN 4018754109616
Model 735/80

Label. Ratchet shell tool Outer-4kant 3/4" Inside square stitch size 24,5x28

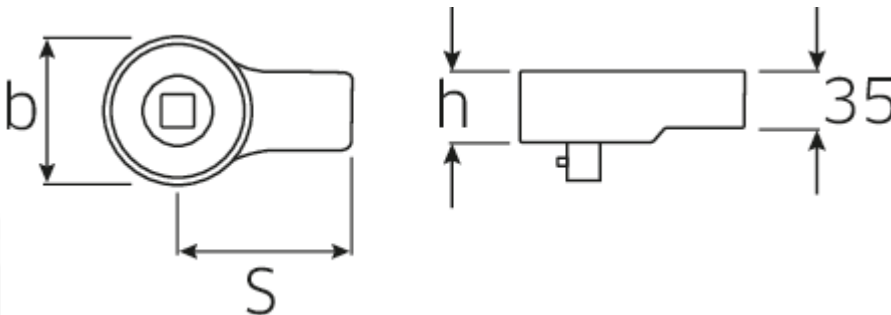
- Features.**
- with push through square drive
 - 30 teeth

Advantages.

With push through square drive

STHLWILLE: For over 160 years, we as a traditional German company from Wuppertal have stood for tools that are appreciated around the world for their excellent quality

Technical Drawing.



Technical Attributes.

Number of teeth 30

Logistics data.

Length (IFS) 133

Working angle	12 °	Width (IFS)	76
Outside square (inch)	3/4 "	Height (IFS)	65
Width mm (b)	76 mm	Length (packed, mm)	140
Size of tool holder external square	24,5x28 mm	Width (packed, mm)	76
Height mm (h)	43 mm	Height (packed, mm)	65
S	95 mm	Volume (packed, mm)	0.6916 dm ³
		Code	58250080
		Weight (gross, kg)	1,930
		Weight PAP (kg)	0,000
		Weight PVC (kg)	0,008
		GTIN	4018754109616
		Country of origin	GERMANY
		Region of origin	Nordrhein-Westfalen
		WEEE/Electrical Act	nicht ear-pflichtig
		Customs tariff no.	82041100
		Numbers of content units per order units	1
		Weight	1930 g

Variants.

Code	Article number (ERP)	Article description (Autom.)	GTIN
58250080	735/80	Ratchet shell tool Outer-4kant 3/4" Inside square stitch size24,5x28	4018754109616

GTIN-Code.



STAHLWILLE Eduard Wille GmbH & Co. KG

Lindenallee 27 · 42349 Wuppertal · Germany · Phone: +49 202 4791-0 · Fax: +49 202 4791-200
 info@stahlwille.de · www.stahlwille.de · Copyright by STAHLWILLE Eduard Wille GmbH & Co. KG, Wuppertal
 Copyright by STAHLWILLE Eduard Wille GmbH & Co. KG, Wuppertal