



Service MANOSKOP® torque wrenches w. permanently installed fine-tooth ratchet

730NR/20QR FK



Art.No. 96502120
GTIN 4018754180516
Model 730NR/20QR FK



Label.

Torque wrench service MANOSKOP No. 730NR/20QR FK Measuring-R. 40-200Nm
Output 1/2" L. 526mm

Features.

- in sturdy plastic box
- with QuickRelease safety lock
- **deviation of indication $\pm 4\%$**

Advantages.

Display deviation $\pm 4\%$

STAHLWILLE: For over 160 years, we as a traditional German company from Wuppertal have stood for tools that are appreciated around the world for their excellent quality

Product highlights.



Flexible rod principle.

Mechanical torque wrenches from STAHLWILLE have a wear-resistant trigger system with a flexible rod. In contrast to conventional torque wrenches with spiral springs, the STAHLWILLE system eliminates one key work step: once the fastener has been tightened, it is not necessary to reset the wrench to »0«.



Protected.

The internal mechanism is extremely resistant to mechanical wear and well protected against dirt and soiling inside the outer housing.

Wear-resistant.

Wear resistant trigger system with a flexible rod. In contrast to conventional torque wrenches, it is not necessary to reset the wrench to zero after each job to unload the spring. In this way, users benefit from long-term accuracy and safe measurement results with less time required.



Simple.

Quick adjustment from outside, no disassembly of the torque wrench required, with two adjustment points for the maximum & minimum values.



User friendly.

Accurate QuickSelect one-handed setting – quick & easy control using the knob at the end of the handle. Unlock. Set. Lock.



Clear view.

Easy-to-read dual scale with colour differentiation between the N·m and ft.lb scales to simplify fine setting.



Clicking.

When the target torque is reached, MANOSKOP® 730N provides a noticeable tactile dual stop signal.



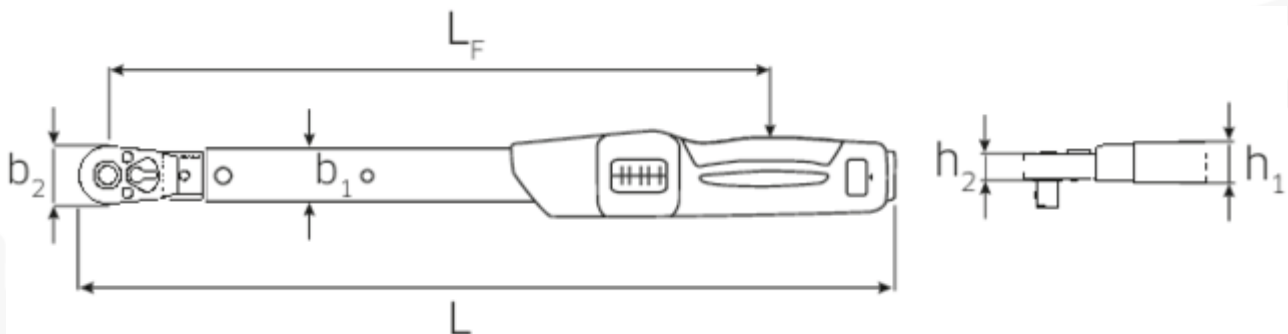
Technologies and features.



QuickRelease

The QuickRelease technology ensures tools cannot be inadvertently lost – while enabling rapid, safe tool changes.

Technical Drawing.



Technical Attributes.

Output square drive outside (inch)	1/2"
b1	28 mm
b2	41 mm
Width mm (b)	92 mm
Fine scale division	1 N·m
Weight with box	2014 g
Size	20QR FK
Height mm (h)	70 mm
Height mm (h1)	23 mm
Height mm (h2)	18 mm
Length mm (L)	526 mm
LF	438,5 mm
Measuring range ft·lb	30-150 ft·lb
Measuring range N·m	40-200 N·m
Scale division [E1]	10 N·m
Scale division [E2]	5 ft·lb

Logistics data.

Length (IFS)	560
Width (IFS)	92
Height (IFS)	70
Length (packed, mm)	560
Width (packed, mm)	92
Height (packed, mm)	70
Volume (packed, mm)	3.6064 dm ³
Code	96502120
Weight (gross, kg)	2,195
Weight PAP (kg)	0,095
Weight PVC (kg)	0,000
GTIN	4018754180516
Country of origin	GERMANY
Region of origin	Nordrhein-Westfalen
WEEE/Electrical Act	nicht ear-pflichtig
Customs tariff no.	82041100
Numbers of content units per order units	1
Weight	1589 g

Parts list.



50181120



81370002
Plastic case, empty



83071004
Inlay for plastic case

Variants.

Code	Article number (ERP)	Article description (Autom._)	GTIN
96502105	730NR/5QR FK	Torque wrench service MANOSKOP No. 730NR/5QR FK Measuring-R. 10-50Nm Output 3/8" L. 372,5mm	4018754180493
96502110	730NR/10QR FK	Torque wrench service MANOSKOP No. 730NR/10QR FK Measuring-R. 20-100Nm Output 1/2" L. 428,5mm	4018754180509

96502120

730NR/20QR FK

Torque wrench service MANOSKOP No.
730NR/20QR FK Measuring-R.
40-200Nm Output 1/2" L. 526mm

4018754180516

GTIN-Code.



STAHLWILLE Eduard Wille GmbH & Co. KG

Lindenallee 27 · 42349 Wuppertal · Germany · Phone: +49 202 4791-0 · Fax: +49 202 4791-200
info@stahlwille.de · www.stahlwille.de · Copyright by STAHLWILLE Eduard Wille GmbH & Co. KG, Wuppertal
Copyright by STAHLWILLE Eduard Wille GmbH & Co. KG, Wuppertal