

GB51

PNEUMATIC INSTALLATION TOOL

GAGE BILT

RIVET & LOCKBOLT TOOLS

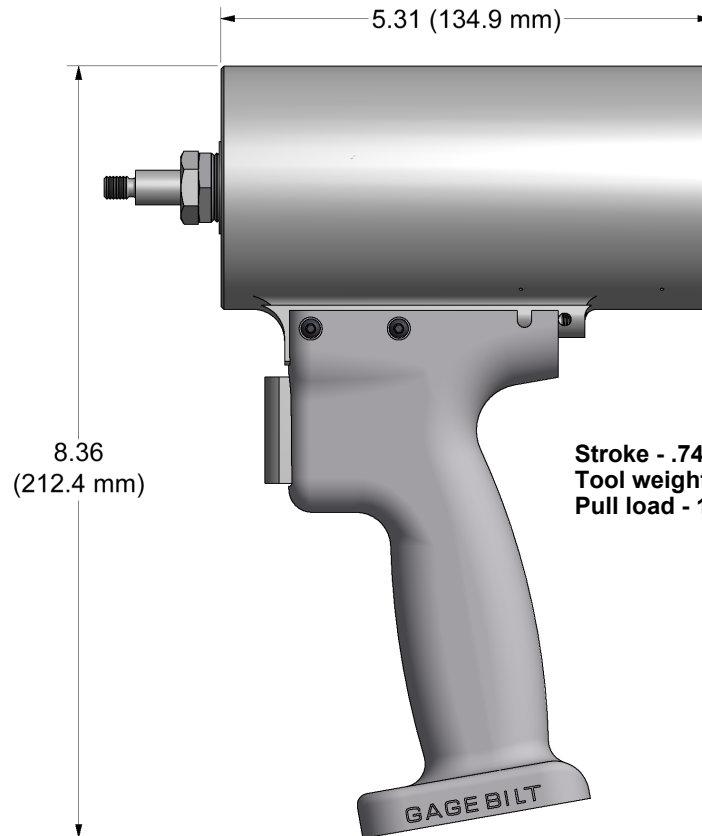
44766 Centre Ct. Clinton Twp. MI 48038 USA

+1 586. 226.1500

+1 586. 226.1505

solutions@gagebilt.com

www.gagebilt.com



GB51
Stroke - .740 (18.8 mm)
Tool weight - 2.5 lbs. (1.13 kg)
Pull load - 1000 (4.45 kN)

The **GB51** pneumatic installation tool is designed specifically for the most efficient installation of blind rivets. It will install aluminum fasteners through 3/16" diameter, and through 1/8" diameter fasteners in any material. It weighs only 2.5 lbs. (1.13 kg) and can be operated in any position.

The **GB51** installation tool is 8.36" high, has a .740 (18.8 mm) stroke and generates a minimum of 1000 lbs. (4.45 kN) pull load at 90 psi (6.2 bar). It operates on 90 to 100 psi (6.2-6.9 bar) of air pressure at the air inlet.



Effective FOD Control (foreign object damage/debris). Install catcher bag on the front of the riveter to catch spent pintail stems. Place nose assembly through grommet on catcher bag and easily fasten catcher bag to tool using the Velcro strap. Features an easily emptied zippered pouch.

*Use catcher bag 500610 for XX-51-46 straight nose assemblies.
Use catcher bag 715610 for XX-715-43 straight nose assemblies.*

**NOSE ASSEMBLIES ARE NOT FURNISHED WITH
TOOL AND MUST BE ORDERED SEPARATELY**





GB51 ACCESSORIES

Approved for use on Gage Bilt CE installation tools and/or other manufacturer's CE approved tools of similar design. (Sold Separately)



ACCESSORIES (Sold Separately)

Grip Gage #GB105093

For NAS LOCKBOLTS and blind fasteners
(Sold Separately)



Grip Gage #269G3

For CHERRYMAX® and CHERRYLOCK® rivets



Alternative Option

GB55B Pneumatic Riveter
With stem collection bottle
for FOD control
(Sold Separately)



See GB55B nose assembly selection chart for GB55B nose assemblies

GB51 NOSE ASSEMBLY SELECTION CHART (Sold Separately)

STRAIGHT
(Sold Separately)



RIGHT ANGLE
(Sold Separately)



OFFSET
(Sold Separately)



FASTENER	DIA.	STRAIGHT	RIGHT ANGLE ¹	OFFSET
NUT PLATE RIVETS MS20600 SERIES CCR244/264/274 MS/9SP/PT BACR15CC/CF/DA/DR	3/32 1/8 5/32 ² 3/16 ²	3C-715B-43 4C-715B-43 5C-715B-43 6C-715B-43	3C-715A-54RA 4C-715A-54RA 5C-715A-54RA 6C-715A-54RA	3C-715A-400S 4C-715A-400S 5C-715A-400S 6C-715A-400S
"A" CODE NAS1398A, NAS1399A NAS1740A, NAS1739A	3/32 1/8 5/32 ² 3/16 ³	3A-715B-43 4A-715B-43 5A-715B-43 6A-715B-43	3A-715A-54RA 4A-715A-54RA 5A-715A-54RA 6A-715A-54RA	3A-715A-400S 4A-715A-400S 5A-715A-400S 6A-715A-400S
BLIND RIVET (SINGLE ACTION) WITH OR W/O DRIVE WASHER NAS1900 S & U SERIES	1/8 5/32 ² 3/16 ²	SMLS04-715B-43 SMLS05-715B-43 SMLS06-715B-43	SMLS04-715A-54RA SMLS05-715A-54RA SMLS06-715A-54RA	SMLS04-715B-400S SMLS05-715B-400S SMLS06-715B-400S
CHERRYMAX®, CHERRYMAX® 'AB', MBC® LOCK CREATOR BACR15FR/FP, BACR15GF/GK,	1/8	456MAX-715-43	456MAX-715B-54RA	456MAX-715B-400S
MBC® NAS1715-1721	1/8 5/32 3/16	MBC04-715C-43 MBC05-715C-43 MBC06-715C-43		
OPEN END NAIL RIVET	3/32 1/8 5/32 ⁴ 3/16 ²	3N-715E-43 4N-715E-43 5N-715E-43 6N-715E-43	3N-715A-54RA 4N-715-54RA 5N-715-54RA 6N-715-54RA	3N-715A-400S 4N-715A-400S 5N-715A-400S 6N-715A-400S
CLOSED END NAIL RIVET (ALUMINUM MANDREL)	3/32 1/8 5/32 3/16	3N-715E-43 4CEA-715E-43 5CEA-715E-43 6CEA-715E-43	3N-715A-54RA 4CEA-715-54RA 5CEA-715-54RA 6CEA-715-54RA	3N-715A-400S 4CEA-715-400S 5CEA-715-400S 6CEA-715-400S
CLOSED END NAIL RIVET (STEEL MANDREL)	3/32 1/8 5/32	3N-715E-43 4CES-715E-43 5CES-715E-43	3N-715A-54RA 4CES-715-54RA 5CES-715-54RA	3N-715A-400S 4CES-715-400S 5CES-715-400S
FASTACK® AF5022 AF5055	3/32 1/8 5/32	3C-715B-43 4C-715B-43 5C-715B-43	3C-715A-54RA 4C-715A-54RA 5C-715A-54RA	3C-715A-400S 4C-715A-400S 5C-715A-400S
SUPERTACK® AF5075 AF5076 S149A020	1/8 5/32 3/16	3A-715B-43 4A-715B-43 5A-715B-43	3A-715A-54RA 4A-715A-54RA 5A-715A-54RA	3A-715A-400S 4A-715A-400S 5A-715A-400S

CHERRYMAX® AND MBC® ARE REGISTERED TRADEMARKS OF CHERRY AEROSPACE. FASTACK® AND SUPERTACK® ARE REGISTERED TRADEMARKS OF ALLFAST FASTENING SYSTEMS INC.

GAGE BILT CERTIFIES THE GB51 WILL INSTALL THE ABOVE FASTENERS

1) RIGHT ANGLE NOSE ASSEMBLY'S MAY REQUIRE MORE THAN ONE PULL.
2) ALUMINUM ONLY.
3) SELF-PLUGGING ALUMINUM ONLY
4) ALUMINUM AND STEEL ONLY.
*ALL COUNTERSUNK 'C' NOSE ASSEMBLY'S MAY BE USED TO INSTALL BOTH UNIVERSAL & COUNTERSUNK HEAD RIVETS

NOTE: THE LAST 2 DIGITS OF THE NOSE ASSEMBLY REPRESENTS THE LENGTH THE NOSE EXTENDS FROM THE TOOL. I.E. -20 = 2.0 INCHES

5/18

Riveter Kits (Sold Separately)

Gage Bilt offers a wide selection of standard and custom kits tailored to your needs.
Contact us for more information.



**CE
Approved**