

GB54B

PNEUMATIC INSTALLATION TOOL

GAGE BILT

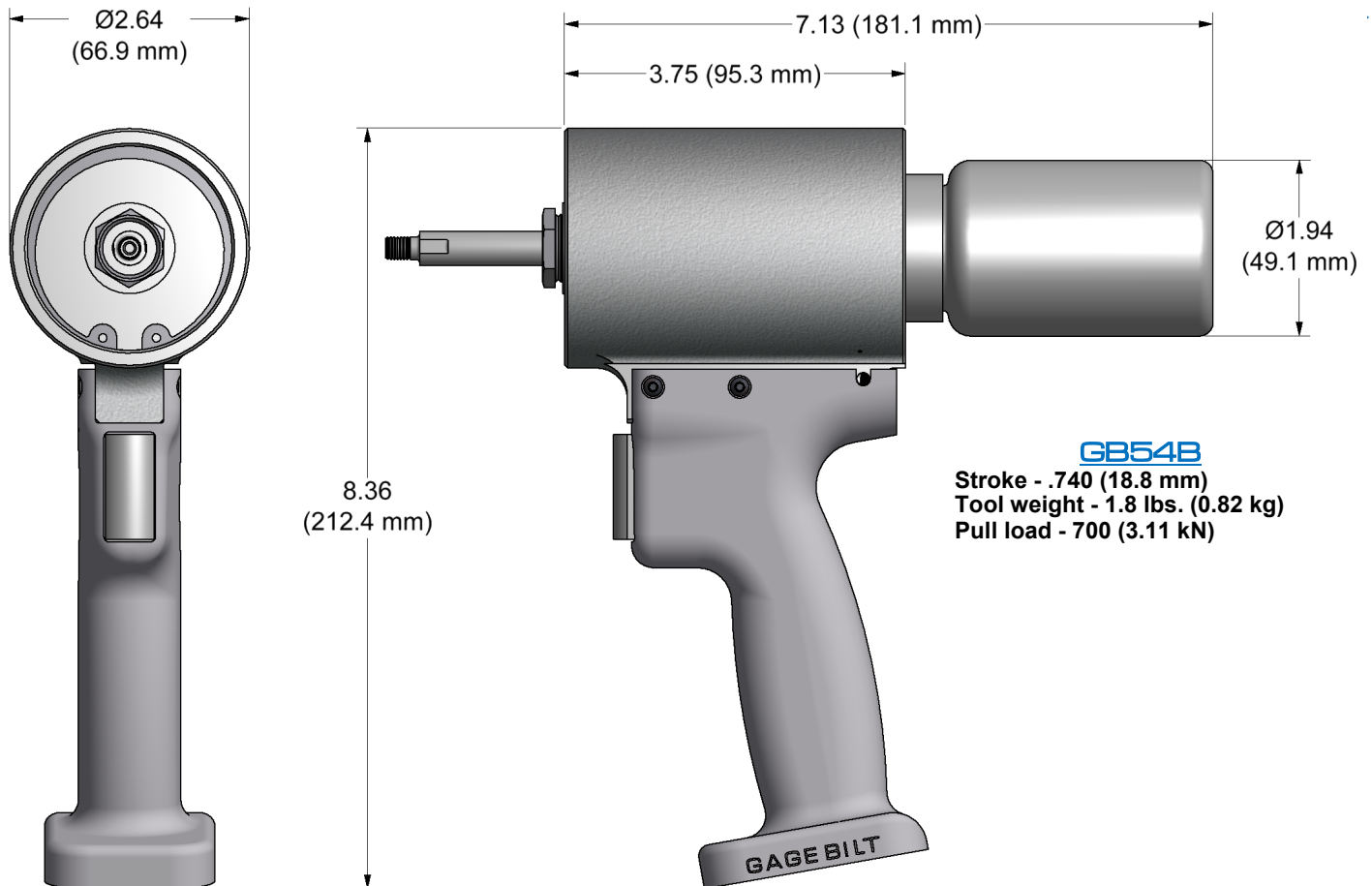
RIVET & LOCKBOLT TOOLS

44766 Centre Ct. Clinton Twp. MI 48038 USA

+1 586. 226.1500

+1 586. 226.1505

solutions@gagebilt.com



The GB54B pneumatic installation tool is designed specifically for the most efficient installation of blind rivets. GB54B incorporates a collection bottle system to collect spent pintails into a bottle eliminating FOD. It will install aluminum fasteners through 5/32" diameter, and through 1/8" diameter fasteners in any material. It weighs only 1.8 lbs. (0.82 kg) and can operate in any position.

The GB54B pneumatic installation tool is 8.36" (212.3 mm) high, has a .740" (18.8mm) stroke and generates a minimum of 700 lbs. (3.11 kN) pull load at 90 psi (6.2 bar). It operates on 90-100 psi (6.2-6.9 bar) of air pressure at the tool. The GB54B does not exceed 81.5 dB(A) and consumes .29 SCF/cycle (8.21 L/cycle).

The air inlet is provided with 1/4-18 female pipe thread to accept the users air hose fitting.

NOSE ASSEMBLIES ARE NOT FURNISHED WITH THIS TOOL AND MUST BE PURCHASED SEPARATELY.





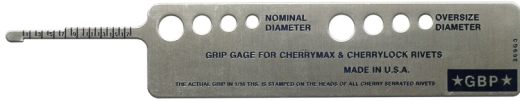
GB54B ACCESSORIES

Approved for use on Gage Bilt CE installation tools and/or other manufacturer's CE approved tools of similar design.
(Sold Separately)



ACCESSORIES (Sold Separately)

**Grip Gage for CHERRYMAX®
and CHERRYLOCK® rivets
269G3
(Sold Separately)**



**Grip Gage for NAS LOCKBOLTS
and blind fasteners
#GB105093
(Sold Separately)**



Alternative Option
GB50 Pneumatic Installation Tool
With stem catcher bag
for FOD control



See GB50 nose assembly selection chart for
GB50 nose assemblies
(Sold Separately)

GB54B NOSE ASSEMBLY SELECTION CHART (Sold Separately)

STRAIGHT
(Sold Separately)



FASTENER	DIA.	STRAIGHT
NUT PLATE RIVETS MS20600 SERIES CCR244/264/274 MS/9SP/PT BACR15CC/CF/DA/DR	3/32 1/8	3C-54-43 4C-54-43
NAS1398A/1399A NAS1738A/1739A RV 1000/1100 & 1200	3/32 1/8	3A-54-43 4A-54-43
BLIND RIVET (SINGLE ACTION) WITH OR W/O DRIVE WASHER NAS1900 S & U SERIES	1/8	SMLS04-54-43
OPEN END NAIL RIVET	3/32 1/8 ₁	3N-54-43 4N-54-43
CLOSED END NAIL RIVET (ALUMINUM MANDREL)	3/32 1/8	3N-54-43 4CEA-54-43
CLOSED END NAIL RIVET (STEEL MANDREL)	3/32 1/8	3N-54-43 4CES-54-43
FASTACK® AF5055 AF5055	3/32 1/8	3C-54-43 4C-54-43
SUPERTACK® AF5075 AF5076 S149A020	1/8 5/32	3A-54-43 4A-54-43

FASTACK® AND SUPERTACK® ARE REGISTERED TRADEMARKS OF ALLFAST FASTENING SYSTEMS INC.

GAGE BILT CERTIFIES THE GB54B WILL INSTALL THE ABOVE FASTENERS

1) ALUMINUM & STEEL ONLY.

*ALL COUNTERSUNK 'C' NOSE ASSEMBLIES MAY BE USED TO INSTALL BOTH UNIVERSAL & COUNTERSUNK HEAD RIVETS

NOTE: THE LAST 2 DIGITS OF THE NOSE ASSEMBLY REPRESENTS THE LENGTH
THE NOSE ASSY EXTENDS FROM THE TOOL I.E. -20 = 2.0 INCHES

Rev. 9/18

Riveter Kits (Sold Separately)

Gage Bilt offers a wide selection of standard and custom kits tailored to your needs.
Contact us for more information.



**CE
Approved**