

GB55B

PNEUMATIC INSTALLATION TOOL

GAGE BILT

RIVET & LOCKBOLT TOOLS

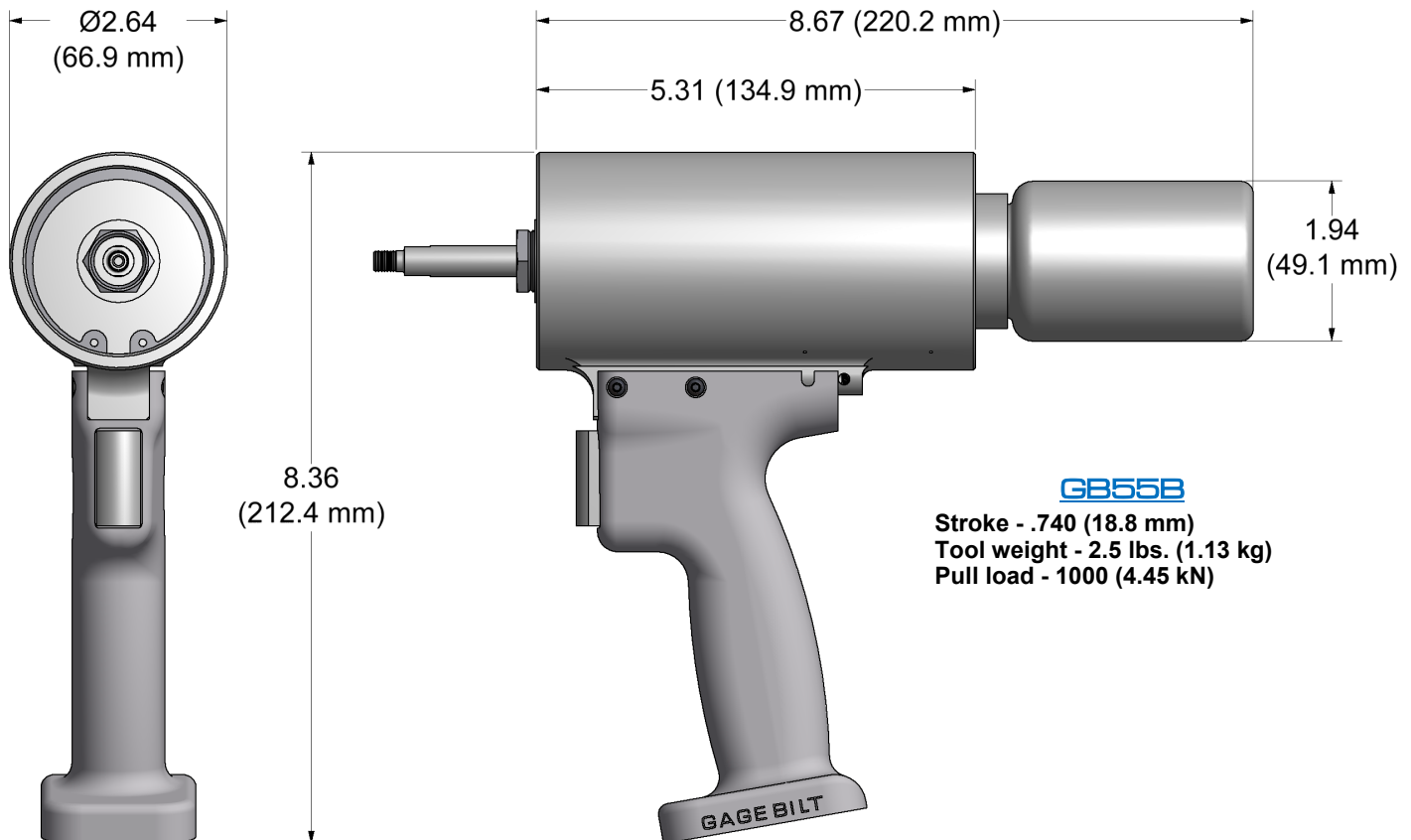
44766 Centre Ct. Clinton Twp. MI 48038 USA

+1 586. 226.1500

+1 586. 226.1505

solutions@gagebilt.com

www.gagebilt.com



The GB55B pneumatic installation tool is designed specifically for the most efficient installation of blind rivets. GB55B incorporates a collection bottle system to collect spent pintails into a bottle eliminating FOD. It will install aluminum fasteners through 3/16" diameter, and through 1/8" diameter fasteners in any material. It weighs only 2 1/2 lbs. (1.13 kg) and can be operated in any position.

The GB55B pneumatic installation tool is 8.36" (212.4 mm) high, has a .740 (18.8 mm) stroke and generates a minimum of 1000 lbs. (4.45 kN) of pull at 90 psi. (6.2 bar). It operates on 90 to 100 psi (6.2-6.9 bar) of air pressure at the tool. The GB55B does not exceed 81.5 dB(A) and consumes .29 SCF/cycle (8.21 L/cycle).

The air inlet is provided with 1/4-18 female pipe thread to accept the users air hose fitting.

**NOSE ASSEMBLIES ARE NOT FURNISHED WITH THIS TOOL
AND MUST BE PURCHASED SEPARATELY.**





GB55B ACCESSORIES

Approved for use on Gage Bilt CE installation tools and/or other manufacturer's CE approved tools of similar design.
(Sold Separately)



ACCESSORIES

(Sold Separately)

Grip Gage for CHERRYMAX® and CHERRYLOCK® rivets

269G3
(Sold Separately)



Grip Gage for NAS LOCKBOLTS and blind fasteners

#GB105093
(Sold Separately)



Alternative Option

GB51 Pneumatic Riveter
With stem catcher bag
for FOD control



See GB51 nose assembly selection chart for GB51 nose assemblies
(Sold Separately)

NOSE ASSEMBLY SELECTION CHART

(Sold Separately)

STRAIGHT

(Sold Separately)



FASTENER	DIA.	STRAIGHT
NUT PLATE RIVETS MS20600 SERIES CCR244/264/274 MS/9SP/PT BACR15CC/CF/DA/DR	3/32 1/8 5/32 1	3C-54-43 4C-54-43 5C-54-43
"A" CODE NAS1398A, NAS1399A NAS1740A, NAS1739A	3/32 1/8 5/32 1	3A-54-43 4A-54-43 5A-54-43
BLIND RIVET (SINGLE ACTION) WITH OR W/OUT DRIVE WASHER NAS1900 S & U SERIES	1/8 5/32 1	SMLS04-54-43 SMLS05-54-43
CHERRYMAX®, CHERRYMAX® 'AB', MBC® LOCK CREATOR BACR15FR/FP, BACR15GF/GK,	1/8	456MAX-54-43
MBC® NAS1715-1721	1/8 5/32 3/16	MBC04-54-43 MBC05-54-43 MBC06-54-43
OPEN END NAIL RIVET	3/32 1/8 5/32 2 3/16 1	3N-54-43 4N-54-43 5N-54-43 6N-54-43
CLOSED END NAIL RIVET (ALUMINUM MANDREL)	3/32 1/8 5/32 3/16	3N-54-43 4CEA-54-43 5CEA-54-43 6CEA-54-43
CLOSED END NAIL RIVET (STEEL MANDREL)	3/32 1/8 5/32	3N-54-43 4CES-54-43 5CES-54-43
FASTACK® AF5022 AF5055	3/32 1/8 5/32	3C-54-43 4C-54-43 5C-54-43
SUPERTACK® AF5075 AF5076 S149A020	1/8 5/32 3/16	3A-54-43 4A-54-43 5A-54-43

CHERRYMAX® AND MBC® ARE REGISTERED TRADEMARKS OF CHERRY AEROSPACE. FASTACK® AND SUPERTACK® ARE REGISTERED TRADEMARKS OF ALLFAST FASTENING SYSTEMS INC.

GAGE BILT CERTIFIES THE GB55B WILL INSTALL THE ABOVE FASTENERS

1) ALUMINUM ONLY.

2) ALUMINUM AND STEEL ONLY.

*ALL COUNTERSUNK 'C' NOSE ASSEMBLIES MAY BE USED TO INSTALL BOTH UNIVERSAL & COUNTERSUNK HEAD RIVETS

NOTE: THE LAST 2 DIGITS OF THE NOSE ASSEMBLY REPRESENTS THE LENGTH THE NOSE ASSEMBLY EXTENDS FROM THE TOOL. I.E. -20 = 2.0 INCHES

Rev. 5/18

Riveter Kits (Sold Separately)

Gage Bilt offers a wide selection of standard and custom kits tailored to your needs.
Contact us for more information.



CE
Approved