

REVO WHEELS PTS

High thickness vacuum formed ABS tool trolley



General features

- 2 side locks with keys
- soft grip handle
- bottom tray with removable dividers

Internal Configuration

- 2 pallets with FLEXI POUCHES™
- wheels with ball bearings
- telescopic handle

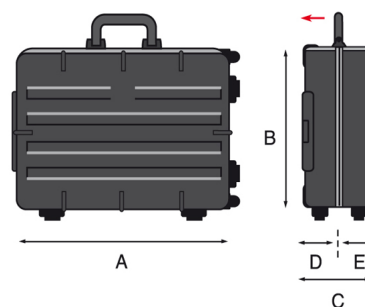
Versions

- REVO PEL
- REVO PTS
- REVO SLIM PEL
- REVO SLIM PTS
- REVO WHEELS PEL
- REVO WHEELS PTS

EAN

8024482014289

Technical features	A	B	C	D	E
mm internal dimensions	453	332	197	92	105
	Weight Kg 4,50				
inc internal dimensions	17 13/16	13 1/16	7 3/4	3 5/8	4 1/8
	Weight lbs 9.92				



REVO WHEELS PTS

High thickness vacuum formed ABS tool trolley



The best quality/price ratio in a completely new lightweight robust case. Made in vacuum formed ABS and now with a strong aluminium trim, using the most advanced technological solutions and standardized automated production processes. A system of special dividers is directly fitted into the ribbed bottom tray, forming a more spacious and perfectly organized body. Without the addition of a separate internal bottom tray, the new case is much lighter and just as resistant and compact.

Accessories

REVO WHEELS PTS



LOCK BELT



WL01



WL02



WL03



WL04



WL05